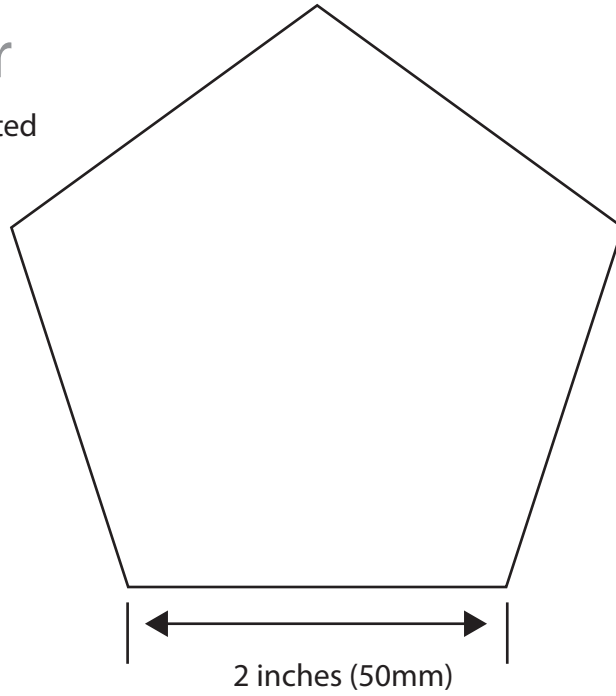


Print to actual size - US letter

For bellows cover and both base pieces: print out, trace onto corrugated cardboard and cut out.

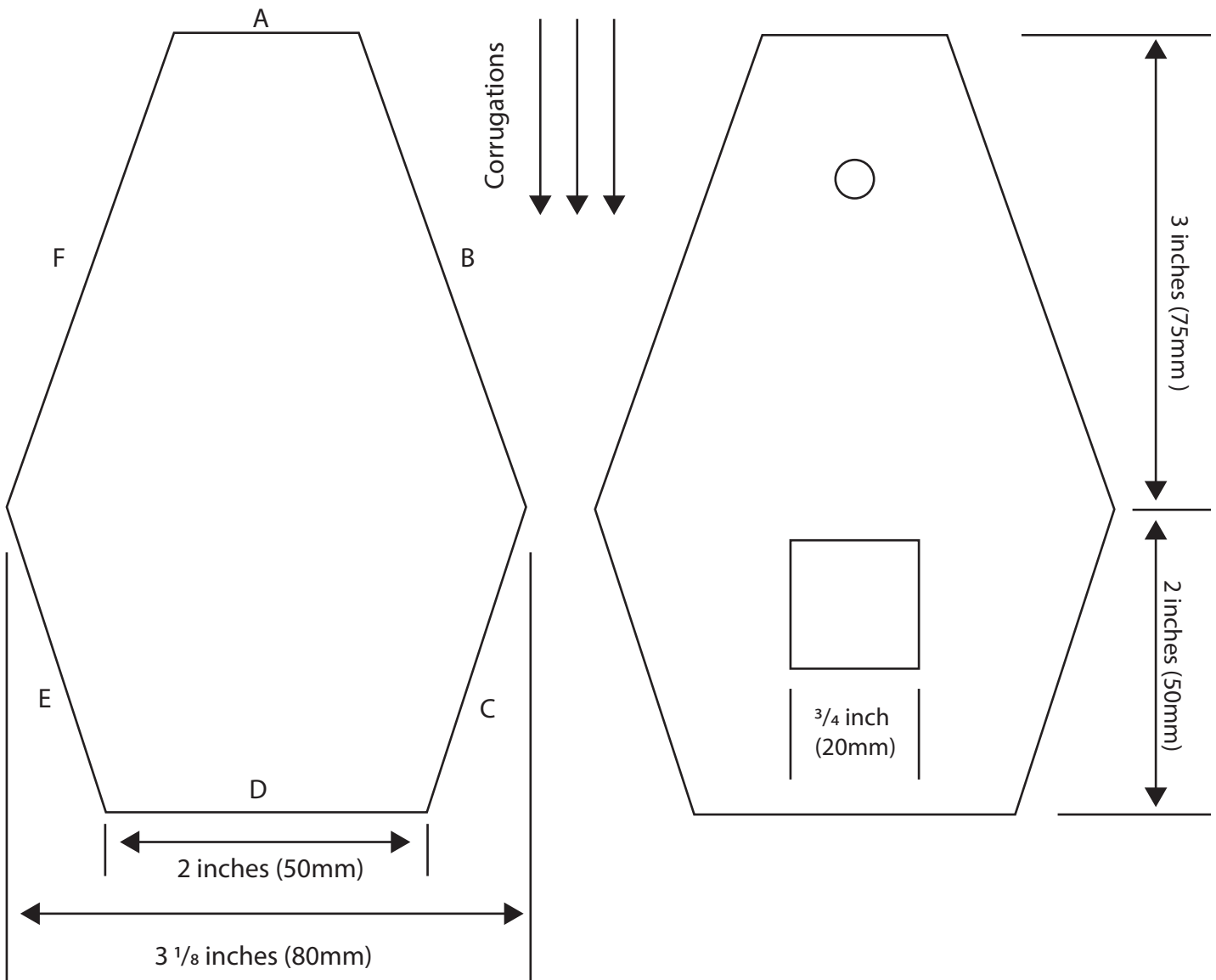
Bellows cover

Print out, trace onto corrugated cardboard and cut out.



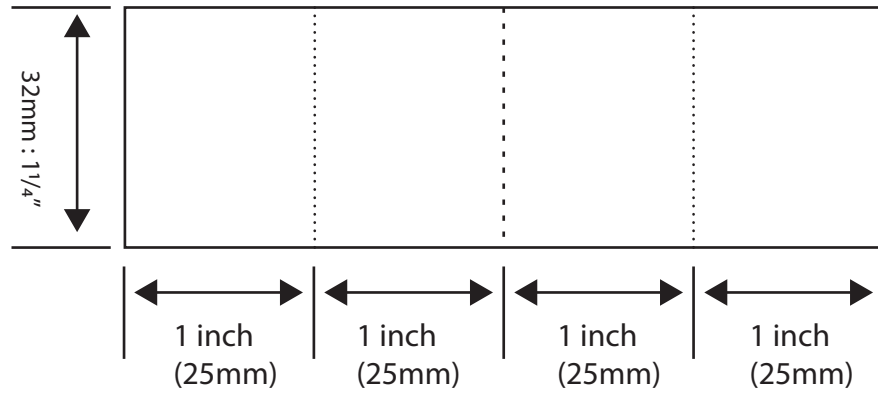
Bottom base piece

Top base piece



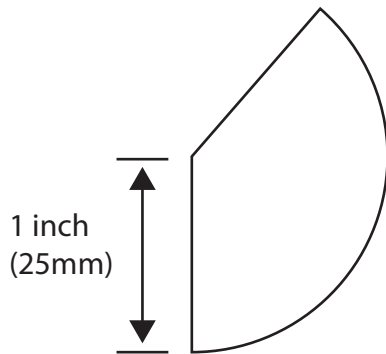
Bellows handle

Print onto cardstock/card and cut out.
Fold along dotted lines.



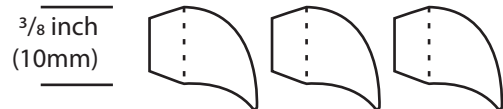
Rocket nose cone

Print onto cardstock/card and cut out.
Decorate with felt-tip pens or pencils.



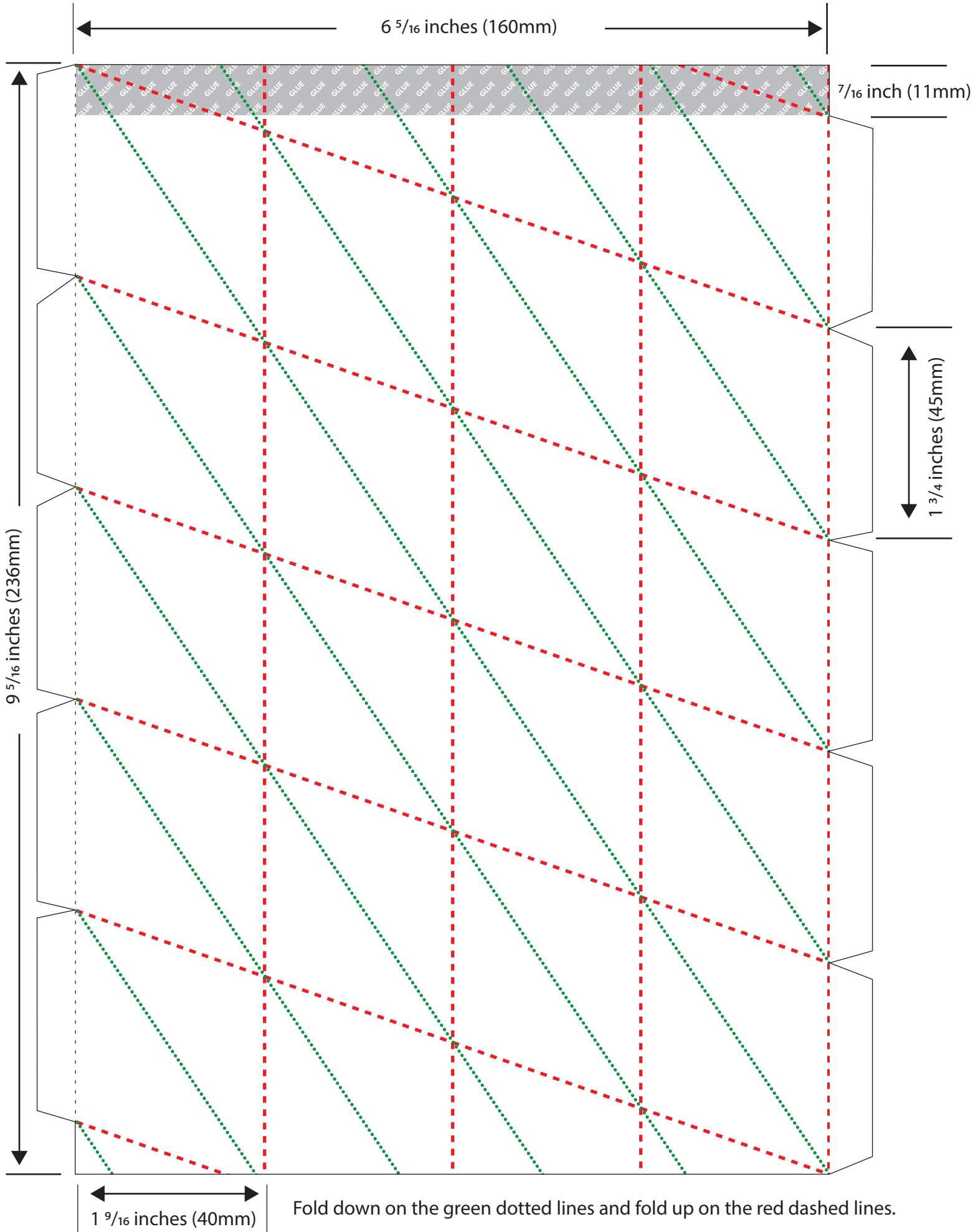
Rocket fins

Print onto cardstock/card and cut out.
Decorate with felt-tip pens or pencils.
Fold along dotted lines and glue to rocket straw.



Bellows

Print onto thin plain paper and cut out. Score and crease along all dotted and dashed lines.



Air chest side

Print onto cardstock/card and cut out. Fold along all dotted lines.
We have indicated letters to help you line these pieces up correctly to attach to the base pieces. You can also see instructions in step 11 for help with this.

